

PROTOMATIC

Rolls Royce Engine Components

Rolls Royce Phantom III (1936-1939)

Hydraulic Lifter kit

Replace solid lifter with new hydraulic piston assembly.

Part Number: 12959-01

Pricing: USD\$2650.00 Set. (24

Req.)

USD\$125.00 Ea.

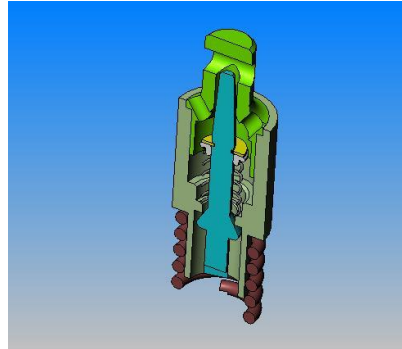
Distributed by: The Phantom III
Technical Society

Contact: Gary Pollard

P 919-366-1303 Fax 919-
366-1303

3cm101@gmail.com

Delivery: 4 Weeks



Rolls Royce Phantom III (1936-1939)

Distributor Advance Shaft Support

Is similar to factory retrofit. This improves distributor synchronization and reduces strain on "A" Bank distributor side shaft.

Part Number: 12055-28,29,30

Price: USD\$45.00

Distributed by: The Phantom III
Technical Society

Contact: Gary Pollard

P 919-366-1303 Fax 919-
366-1303

3cm101@gmail.com

Delivery: 2 Wks ARO



Rolls Royce Phantom III (1936-1939)

Floor Board Screws Kit

Custom Thread Size CNC

Manufactured

Replacement Screw for Phantom III
Floor

Board. Nickel plated steel.

Typical Floor Board Requires;

4 pc. 2 5/8" long

6 pc. 1 5/8" long

5 pc. 1 3/8" long

Part Number: TBD

Price: USD\$11.00 Each

Distributed by: The Phantom III
Technical Society

Contact: Gary Pollard

P 919-366-1303 Fax 919-
366-1303

3cm101@gmail.com

Delivery: 4 Wks ARO

